



MOD2965-01 is configuration of the **ModuDesk Series**. It includes a modesty panel and a 10U rack with 19.5" depth (23" depth optional). The unit comes with levellers that can be swapped out with casters. The base of the rack is built without a shelf floor, this allows air to freely flow into the unit while the cutout door handles allow for air to exit (Fans are optional if required). Unit ships flat pack and must be assembled on site, fasteners, hardware and instructions included.

Standard Features

- x3 Base Caps with Levellers (Casters are optional)
- Round grommets through each end
- Pre-Drilled holes for included Modesty Panel
- Front and rear 10U Rack with 19.5" Depth
- Scratch resistant Thermowrap top
- Unit Ships Flat Pack (to be assembled on site)
- All fasteners and hardware provided for assembly
- Tools not included

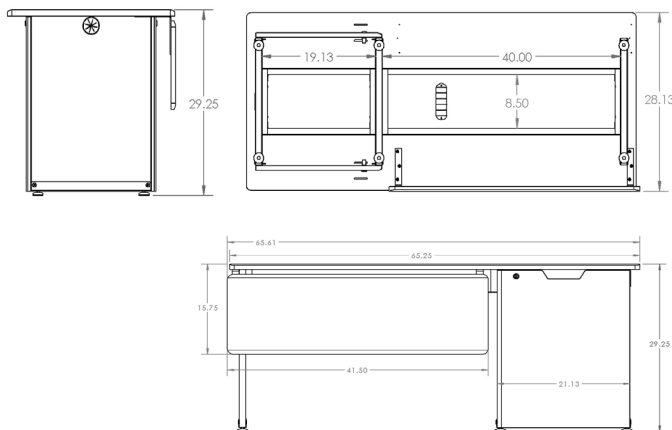
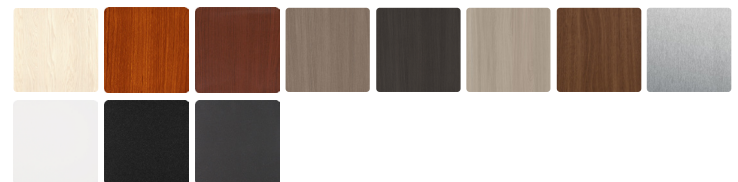
Options

- **MODU-EXT** 23" Rack depth extension
- **50CAS** Easy Maneuvering Casters
- **PB 6** Outlet PowerBar
- **CUBM3** 3 Module Power & Data Panel
- **CUBM4** 4 Module Power & Data Panel
- **FWM100** 100x100 Vesa Mount
- **C900S** Single Monitor Arm
- **CHGQIB** Wireless Charging Station
- *See more Options on Website & Order Form*

Specifications

Width: 65.85"
Depth: 28"
Height: 29.25"

Finishes:



The information contained in this drawing is the sole property of Audio Visual Furniture International. Any reproduction in part or as a whole without the written permission of Audio Visual Furniture International is prohibited. We can build or modify stock configurations to suit customer specifications. Please contact us to discuss how this service can help meet your needs. Some quantity restrictions may apply. Specification subject to change without notice. Computers, cameras, monitors, etc. are shown to illustrate product usage and are not included unless otherwise noted.